

Data sheet

Ceramic relative pressure sensor

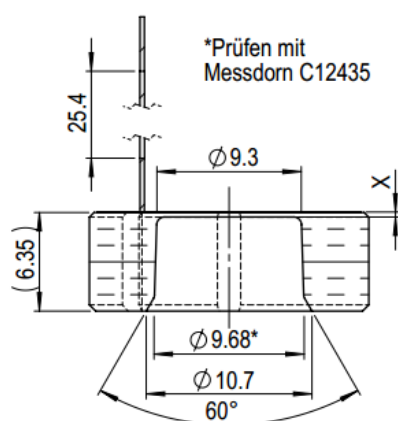
GFS Gesellschaft für Sensorik mbH
 Grubenstr. 2
 D-78052 Villingen Schwenningen
 Tel: +49(0) 77 21/ 8475-0
 Fax: +49(0) 77 21/ 8475-75
 Web: www.GFSGermany.de

Monolithic

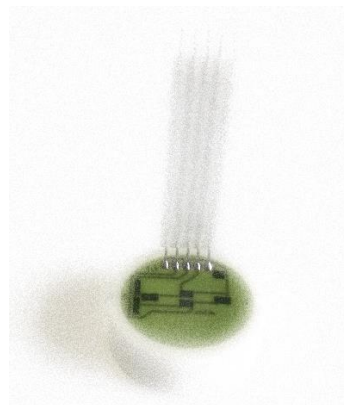
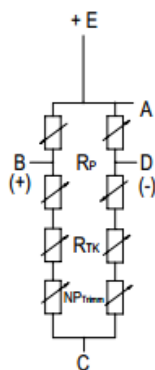
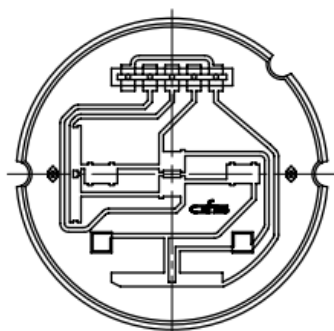
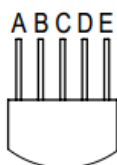
Pressure sensor based on an alumina ceramic body with screenprinted strain gauge structures

- highest chemical resistance to the medium
- integrated temperature compensation
- laser trimming for zero point and temperature compensation
- excellent cost-performance value

Used by manufacturers of pressure transmitters and pressure measuring systems.



Outer diameter: 18 mm	Pressure Ranges:	Overpressure	Burstpressure
	0...4 bar	>8	>12
	0...6 bar	>12	>18
	0...10 bar	>20	>30
	0...16 bar	>32	>48
	0...25bar	>50	>75
	0...40 bar	>80	>120
	0...60 bar	>120	>180



Output (FS):	22...32mV (10 VDC)
-Zero offset (ZP):	±2mV, by 10 VDC
-Supply voltage:	max 15VDC
-Bridge resistance:	10kΩ, ±30%
Long term stability ZP/by using:	±0.3% FS/12 month max.
Temperature coefficient ZP:	±300 ppm/K Tc sensitivity: ±300 ppm/K
Media temperature:	-25...+125°C

All technical data serves as a guideline and does not guarantee any particular properties to the product.