

# Data sheet

## Ceramic Pressure Sensor - Sealed Gage

GFS Gesellschaft für Sensorik mbH  
Grubenstr. 2

D-78052 Villingen Schwenningen

Tel: +49(0) 77 21/ 8475-0

Fax: +49(0) 77 21/ 8475-75

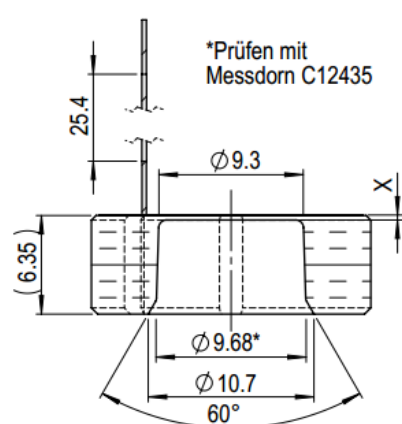
Web: www.GFSGermany.de

### Monolithic with PTC resistor

Pressure sensor based on an alumina ceramic body with screenprinted strain gauge structures

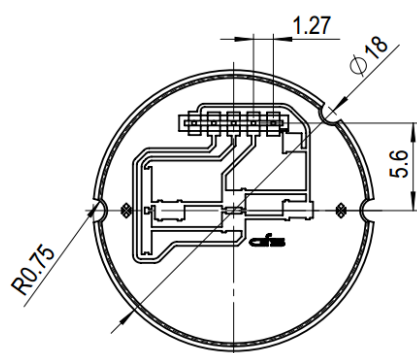
- highest chemical resistance to the medium
- integrated temperature compensation
- laser trimming for zero point and temperature compensation
- excellent cost-performance value

Used by manufacturers of pressure transmitters and pressure measuring systems.

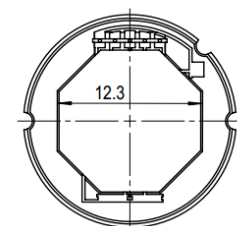
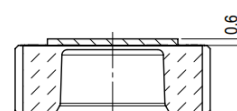
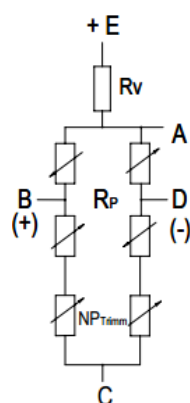


Outer diameter: 18 mm

Pressure Ranges:	Overpressure	Burstpressure
0...4 bar	>8	>12
0...6 bar	>12	>18
0...10 bar	>20	>30
0...16 bar	>32	>48
0...25bar	>50	>75
0...40 bar	>80	>120



relativ, mit Rv



Output (FS): 22...32mV (10 VDC)

-Zero offset (ZP): ±2mV, by 10 VDC

-Supply voltage: max 15VDC

-Bridge resistance: 10kΩ, ±30%

Long term stability ZP/by using: ±0.3% FS/12 month max.

Temperature coefficient ZP: ±1000 ppm/K Tc sensitivity: +300 to -500 ppm/K

PTC Resistor Rv: 600 Ω ±100 Ω ; Tc: 3000 ppm/K ±600 ppm/K

Temperature range: -25...+125°C

All technical data serves as a guideline and does not guarantee any particular properties to the product.